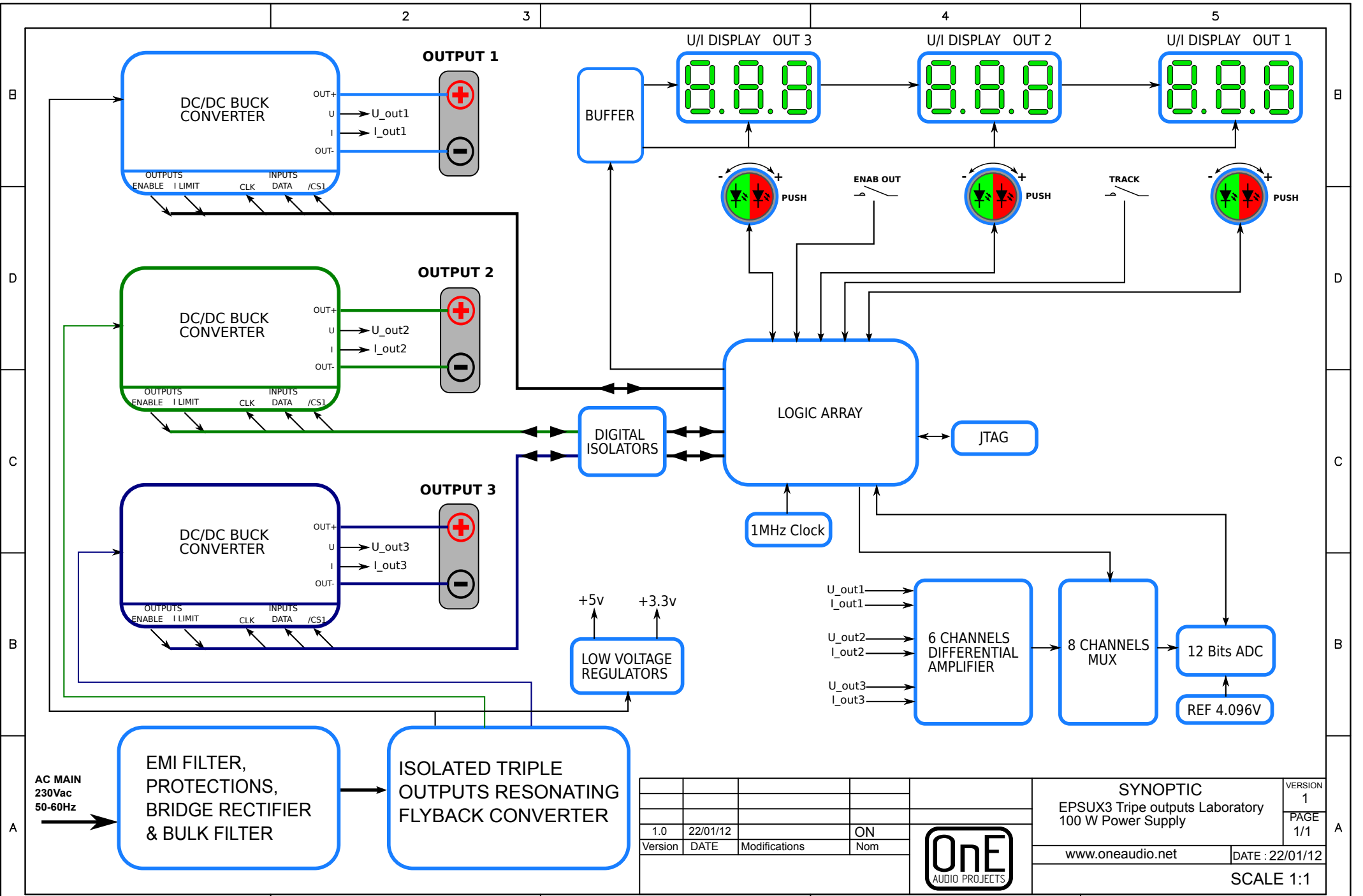


EPSUX3V1 SIMPLIFIED DIAGRAM



Version	DATE	Modifications	Nom
1.0	22/01/12		ON



SYNOPTIC
EPSUX3 Tripe outputs Laboratory
100 W Power Supply

VERSION 1
PAGE 1/1

www.oneaudio.net DATE : 22/01/12

SCALE 1:1