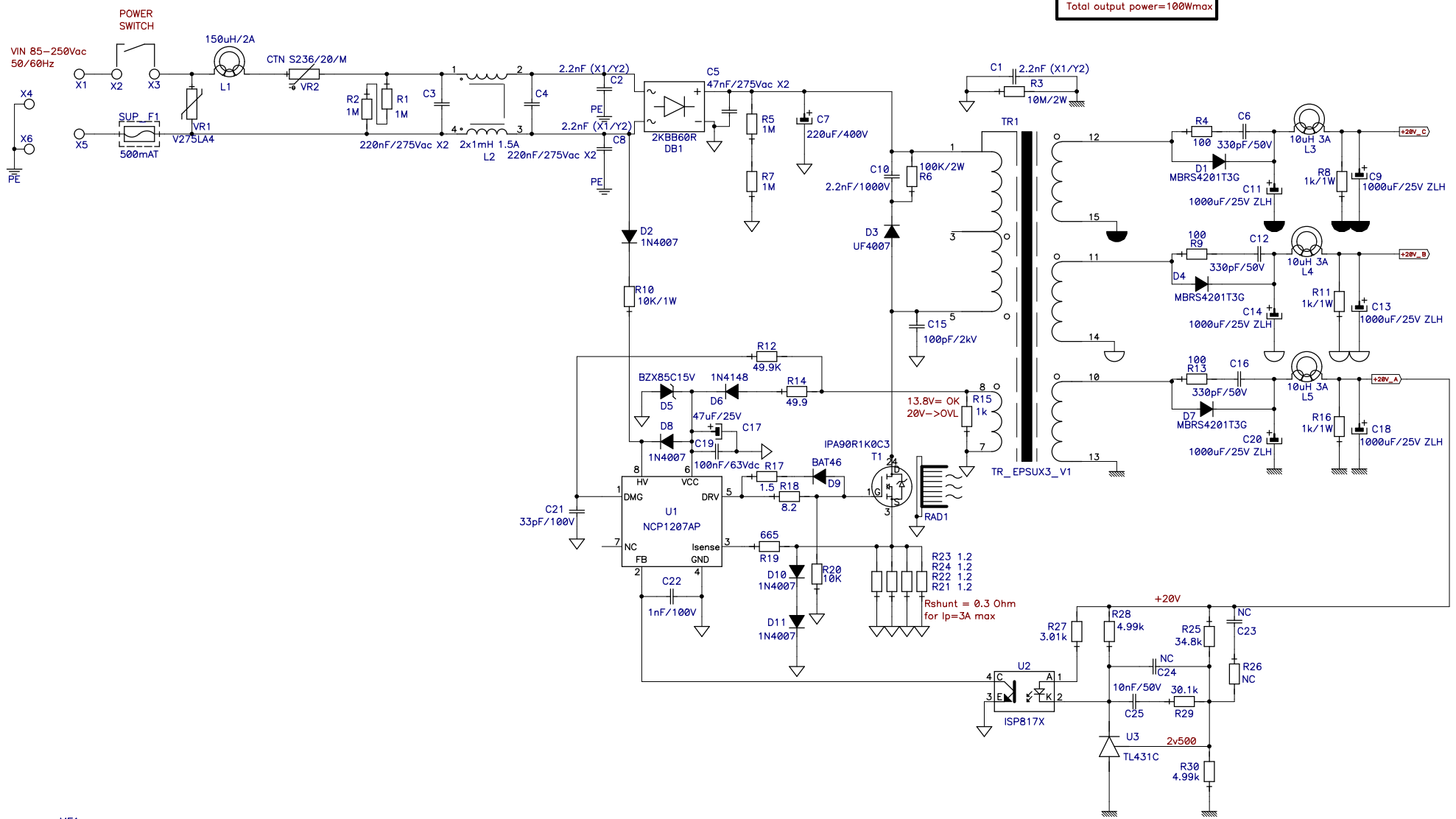
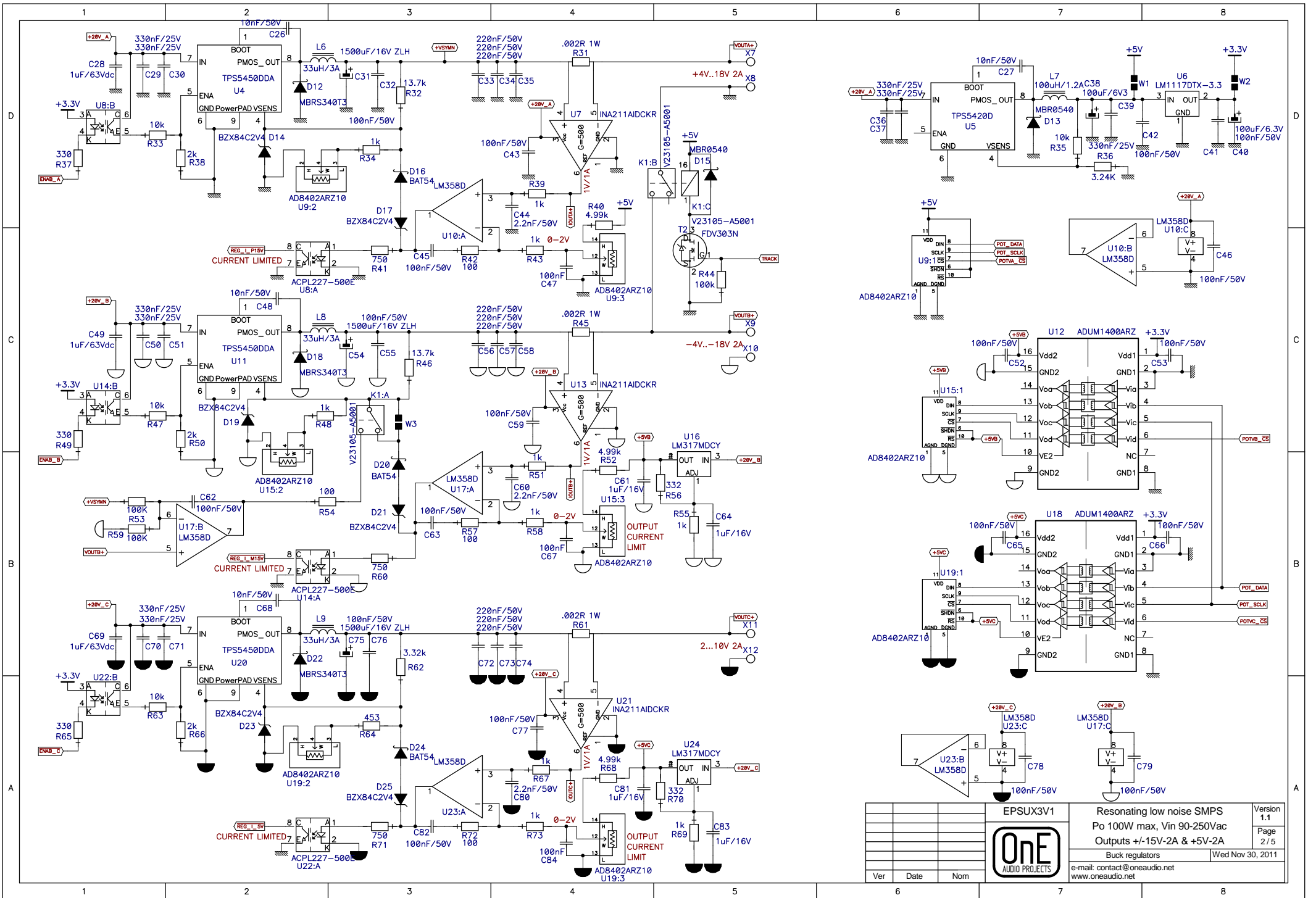



Total output power=100Wmax

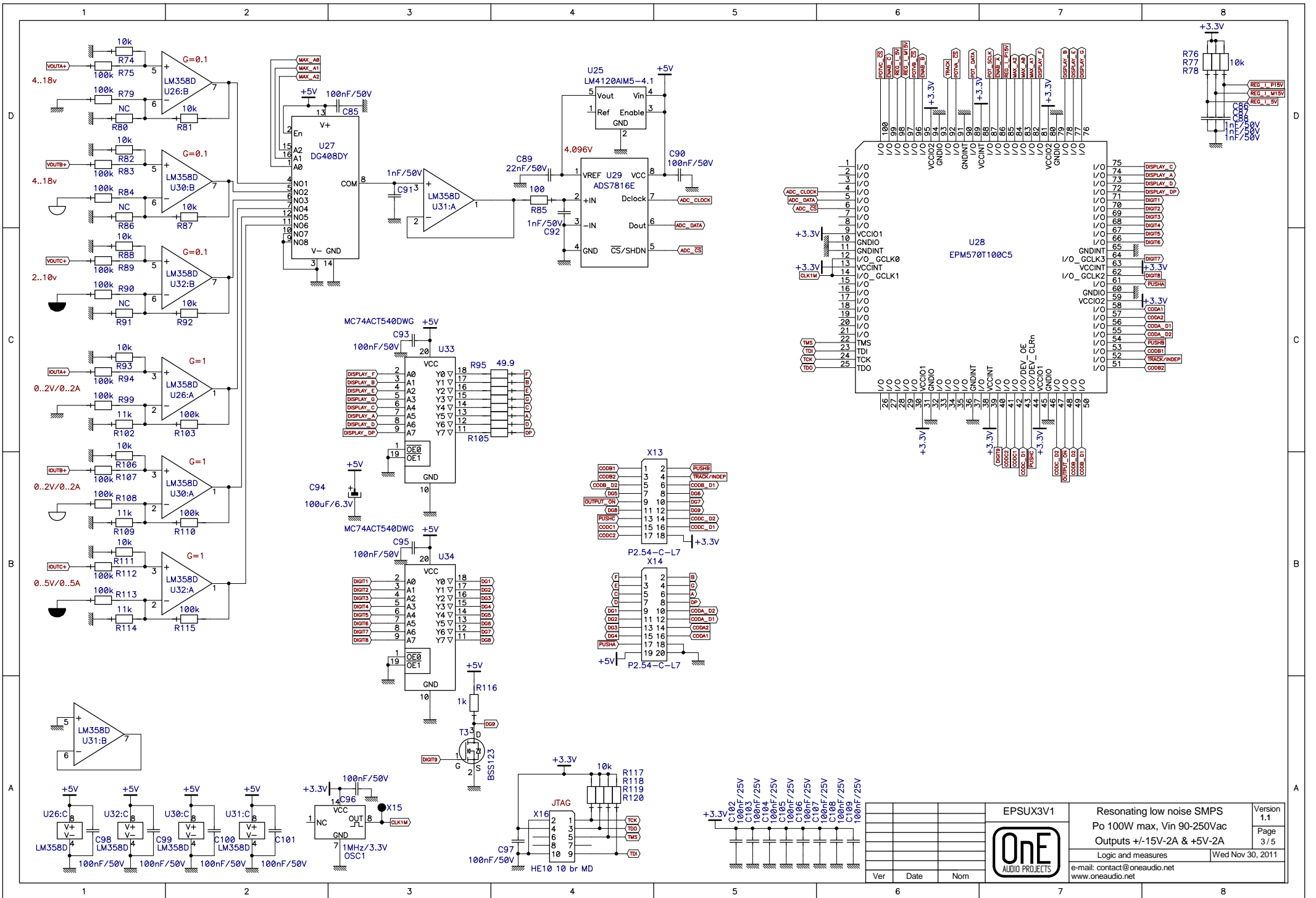



ME1
Clip de fixation pour composants boîtier T0220 sur dissipateur type KL194 (=W4337/330)
Schoffner
KL194CLIP

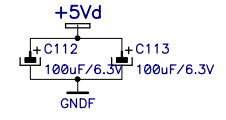
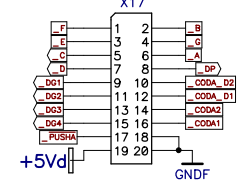
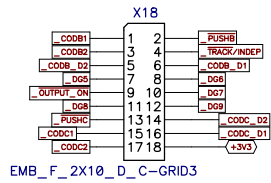
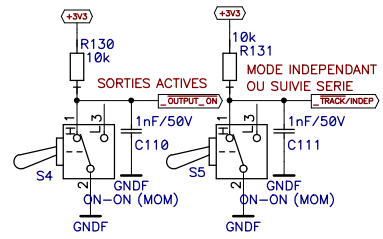
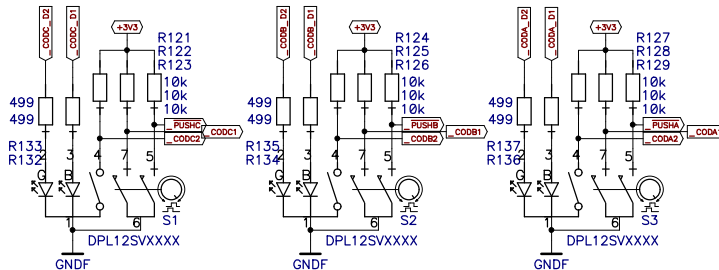
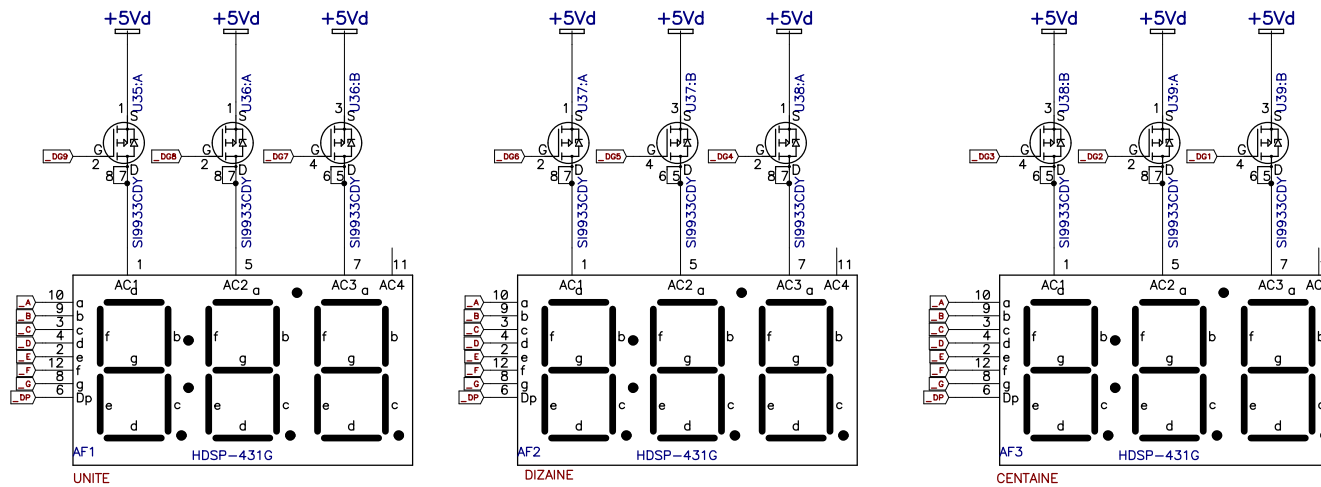
			EPSUX3V1		Resonating low noise SMPS		Version 1.1	
					Po 100W max, Vin 90-250Vac		Page 1/5	
					Outputs +/-15V-2A & +5V-2A			
1.1	25/11/11	ON			Flyback SMPS		Wed Nov 30, 2011	
1.0	21/07/11	ON			e-mail: contact@oneaudio.net			
Ver	Date	Nom			www.oneaudio.net			



EPSUX3V1			Resonating low noise SMPS		Version 1.1	
			Po 100W max, Vin 90-250Vac		Page 2/5	
			Outputs +/-15V-2A & +5V-2A		Buck regulators	
Ver			Date		Nom	
e-mail: contact@oneaudio.net			www.oneaudio.net		Wed Nov 30, 2011	



Ver			Date			Nom						EPSUX3V1 Resonating low noise SMPS Po 100W max, Vin 90-250Vac Outputs +/-15V-2A & +5V-2A			Version 1.1 Page 3 / 5 Logic and measures Wed Nov 30, 2011 e-mail: contact@oneaudio.net www.oneaudio.net		
-----	--	--	------	--	--	-----	--	--	---	--	--	--	--	--	---	--	--



Ver	Date	Nom	EPSUX3V1	Resonating low noise SMPS Po 100W max, Vin 90-250Vac Outputs +/-15V-2A & +5V-2A	Version 1.1 Page 4 / 5
				Front panel	Wed Nov 30, 2011
				e-mail: contact@oneaudio.net www.oneaudio.net	