
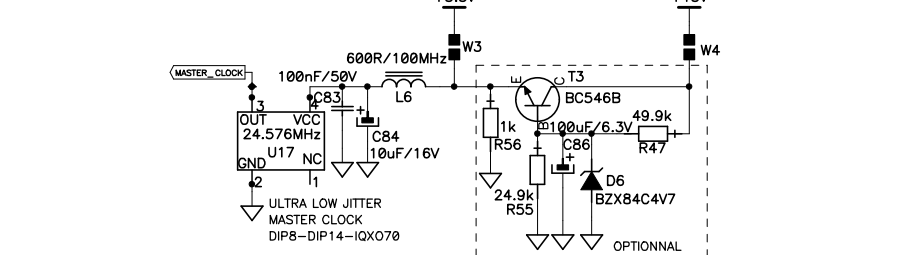
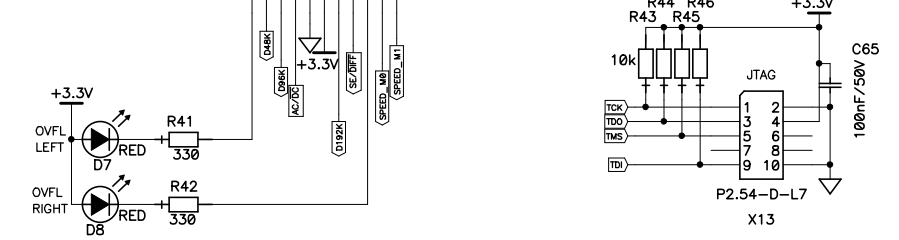
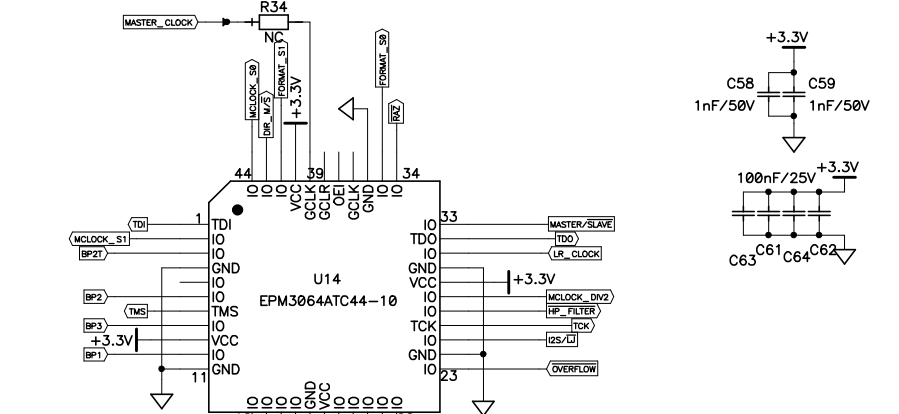
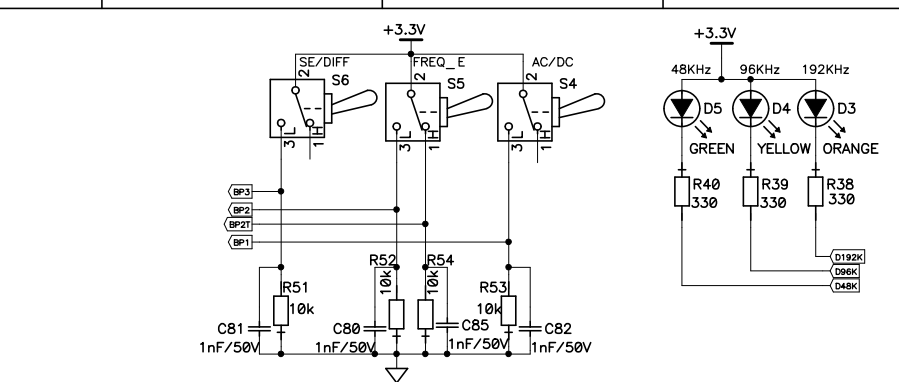
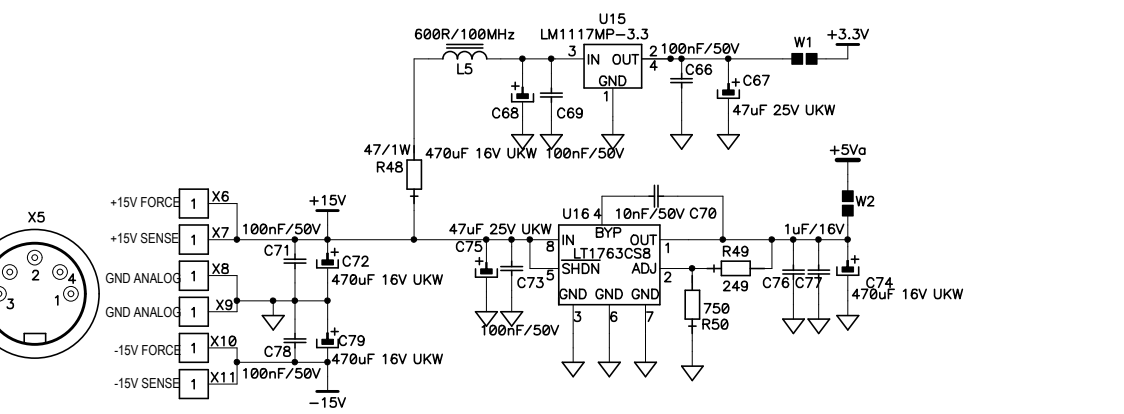
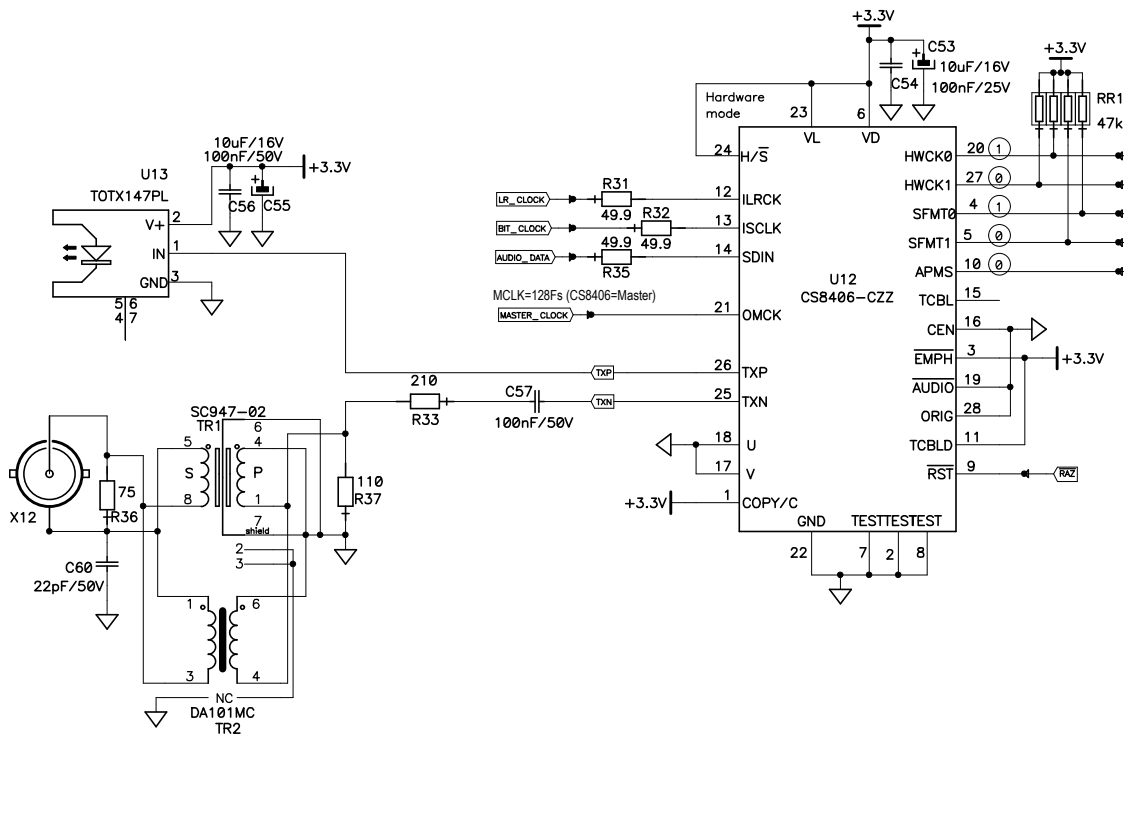


AA5381V1			Audio Analyser Based on CS5381+CS8406 24bits 192kHz A/D converter		Version 1.00
			Page 1		Page 1 / 3
			e-mail: contact@oneaudio.net www.oneaudio.net		Mon Feb 22, 2010
Ver	Date	Nom			

MASTER CLOCK RATIO @ 24.576MHz		SFMT1	SFMT0	AUDIO FORMAT	HWCK1	HWCK0	OMCK Ratio
44.1kHz	NA	0	0	Left justified	0	0	256 Fs
48kHz	512 x Fs	0	1	I2S	0	1	128 Fs
96kHz	256 x Fs	1	0	Right justified 24bits	1	0	512 Fs
192kHz	128 x Fs	1	1	Right justified 16bits	1	1	256Fs



AA5381V1		Audio Analyser		Version 1.00
		Based on CS5381+CS8406		Page 2 / 3
		24bits 192kHz A/D converter		
Page 2		Mon Feb 22, 2010		
1.00	12/02/10	O.N	e-mail: contact@oneaudio.net	
Ver	Date	Nom	www.oneaudio.net	